



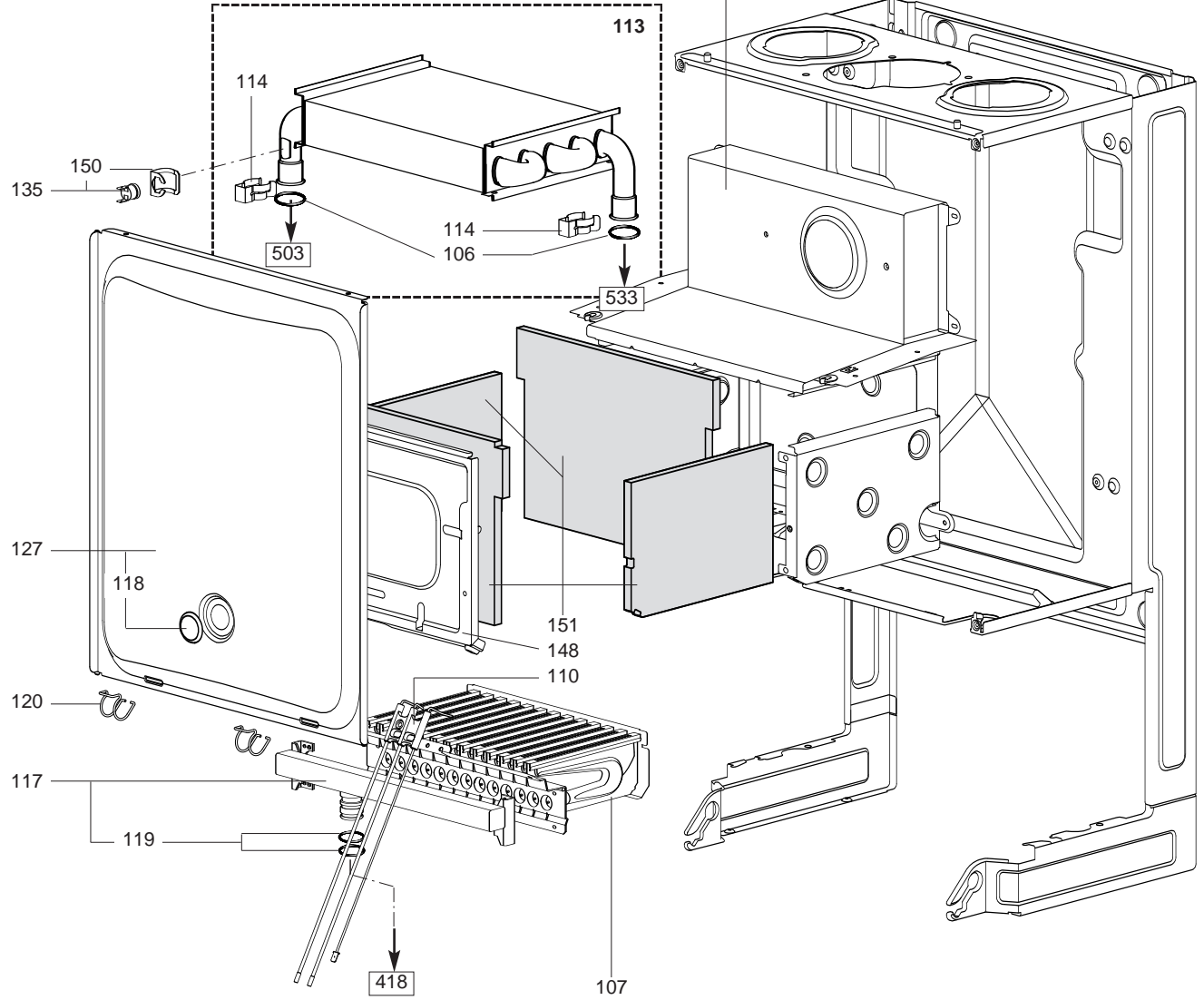
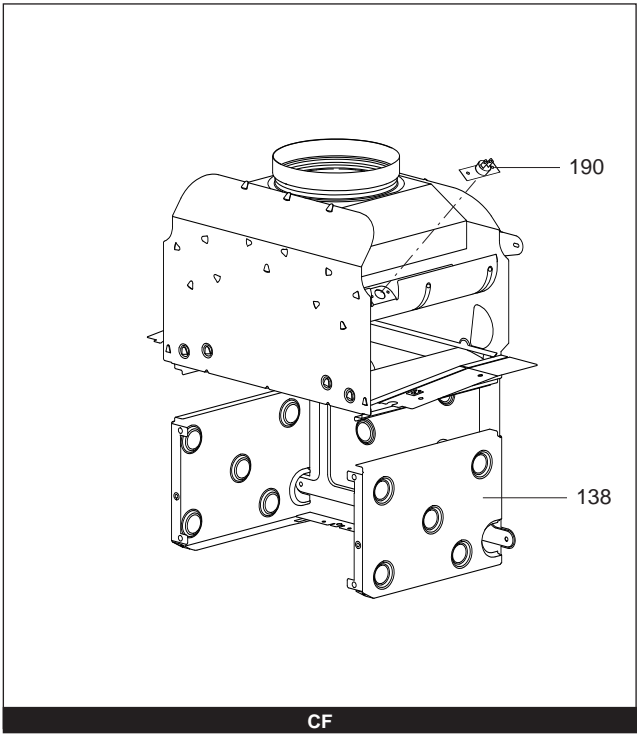
# SPARE PARTS EXPLODED VIEW GAS WALL BOILERS

Model

**GENUS**

R8215845-02EN - Edition 02 - 15/07/2007

3300127		GENUS 24 FF NG (EAA 02)	...	...
3300128		GENUS 24 CF NG (EAA 02)	...	...
3300129		GENUS 28 FF NG (EAA 02)	...	...
3300130		GENUS 28 CF NG (EAA 02)	...	...
3300131		GENUS 35 FF NG (EAA 02)	...	...
Reference	Ind.	Model type	Begin	End



Key N	Description	Manf. Pt. N	Type						Manf. date	
				FF	CF	FF	CF	FF	from	to
<b>0100</b>	<b>SEALED CASE</b>									
0106	O-RING 3,53X17,04	65104262		•	•	•	•	•		
0107	BURNER	65104220		•	•	•				
	BURNER	65105027				•	•			
0110	ELECTRODE (IGNITION/DETECTION)	65104549		•	•	•	•	•		
0113	MAIN EXCHANGER	65104246		•	•					
	MAIN EXCHANGER	65104247			•					
	MAIN EXCHANGER	65105030				•				
	MAIN EXCHANGER	65105041						•		
0114	CLIP	61307589		•	•	•	•	•		
0117	GAS MANIFOLD	65104226	NG			•				
	GAS MANIFOLD	65104302	NG	•	•					
	GAS MANIFOLD	65105026	NG			•				
	GAS MANIFOLD	65105037	NG					•		
0118	SIGHT GLASS	65104232		•	•	•	•	•		
0119	O-RING 17,17X1,78	65104303		•	•	•	•	•		
0120	SPRING FRONT PANEL (KIT)	65104298		•	•	•	•	•		
0127	PANEL (FRONT - SEALED CHAMBER)	65104236		•	•					05/07
	PANEL (FRONT - SEALED CHAMBER)	65105038						•		05/07
	PANEL (FRONT - SEALED CHAMBER)	65105678		•	•				06/07	
	PANEL (FRONT - SEALED CHAMBER)	65105679						•	06/07	
0135	THERMOSTAT	65104500		•	•	•	•	•		
0138	COMBUSTION CHAMBER	65104218			•					
	COMBUSTION CHAMBER	65104219		•	•					
	COMBUSTION CHAMBER	65105028				•				
	COMBUSTION CHAMBER	65105040						•		
0148	PANEL (COMBUSTION CHAMBER)	65104240		•	•	•		•		
	PANEL (COMBUSTION CHAMBER)	65105033				•				
0150	CLIP	61010050		•	•	•	•	•		
0151	PANELS (KIT)	65104695		•	•	•				
	PANELS (KIT)	65105029				•	•			
0190	THERMOSTAT 75-65°C	999539		•	•					



Key N	Description	Manf. Pt. N	Type						Manf. date	
				FF	CF	FF	CF	FF	from	to
<b>0200</b>	<b>FAN ASSEMBLY</b>									
0201	SUPPORT (AIR PRESSURE SWITCH)	65104378		•	•	•				
0205	COLLAR GASKET	65104258		•	•	•				
0206	FAN	65104231			•					
	FAN	65104255		•						
	FAN	65105042				•				
0207	CABLE (EARTH)	65104286		•	•	•				
0208	FAN GASKET	65104257		•	•	•				
0210	PRESSURE INTAKE COVER	573329		•	•	•				
0212	PANEL (INSULATION - FAN)	65104305		•	•	•				
0216	AIR PRESSURE SWITCH	65104671		•						
	AIR PRESSURE SWITCH	65104672			•	•				
0220	CONDENSATE TRAP	65104623		•	•	•				
<b>0300</b>	<b>CHASSIS-FRONT CASE</b>									
0303	RESTRICTOR D=46	65101023				•				
	RESTRICTOR (D=44)	65105078		•	•					
0304	FLUE (EXHAUST MANIFOLD / HEADER)	65105393		•	•	•				
0305	AIR RETURN MANIFOLD	65104710		•	•	•				
0306	AIR RETURN COVER	65104249		•	•	•				
0320	GASKET	60000317		•	•	•				
0321	GASKET 3/8	573521		•	•	•	•			
0322	FLUE INTAKE PLUG	65104295		•	•	•				
0324	PIPE (EXPANSION VESSEL)	65104253		•	•	•	•			
0325	O-RING D: 8.9-2.7	61009834-14		•	•	•	•			
0327	EXPANSION VESSEL	65104261		•	•	•	•			
0337	HYDRAULIC GROUP SUPPORT	65104311		•	•	•	•			
0342	CASE PANEL (L.H. SIDE)	65104242		•	•	•	•			05/07
	CASE PANEL (L.H. SIDE)	65105676		•	•	•	•		06/07	
0344	CASE PANEL (FRONT)	65104299		•	•	•				
	CASE PANEL (FRONT)	65105031				•	•			
0345	CASE PANEL (R.H. SIDE)	65104241		•	•	•	•			05/07
	CASE PANEL (R.H. SIDE)	65105677		•	•	•	•		06/07	
0362	MAGNET	65104670		•	•	•	•			
0363	EXPANSION VESSEL SUPPORT	65104696		•	•	•	•			
<b>0400</b>	<b>GAS SECTION</b>									
0401	GAS VALVE	65104254		•	•	•	•			
0405	GASKET (SPARK GENERATOR)	574279		•	•	•	•			
0406	O-RING 22,22X2,62	65104304		•	•	•	•			
0407	SILICONE PIPE	65104296		•	•	•	•			
0418	PIPE (GAS VALVE/BURNER)	65104230		•	•	•	•			
0419	GAS PIPE	65104251		•	•	•	•			
0436	O-RING 17,17X1,78	65104303		•	•	•	•			
0444	SPARK GENERATOR	65104653		•	•	•	•			

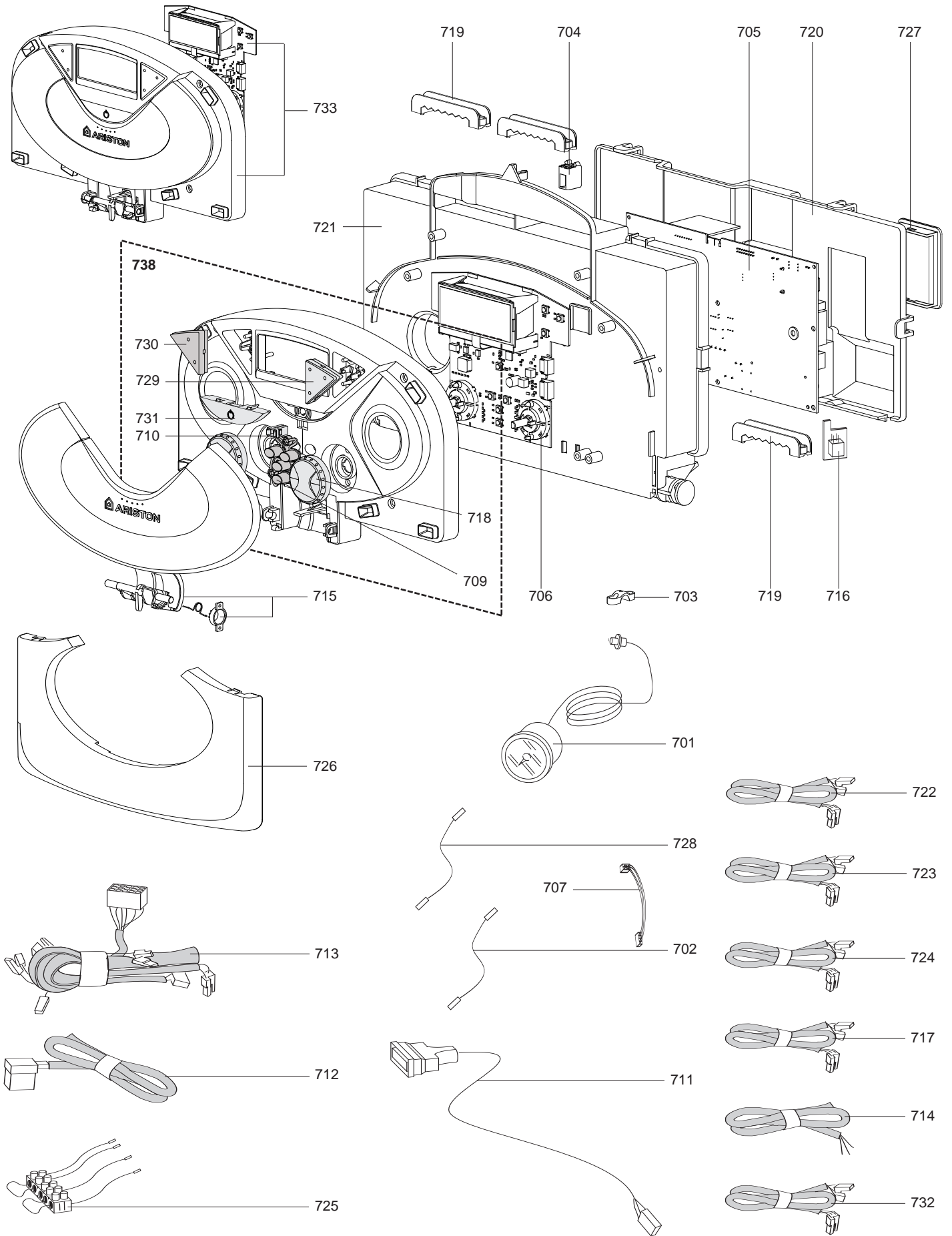




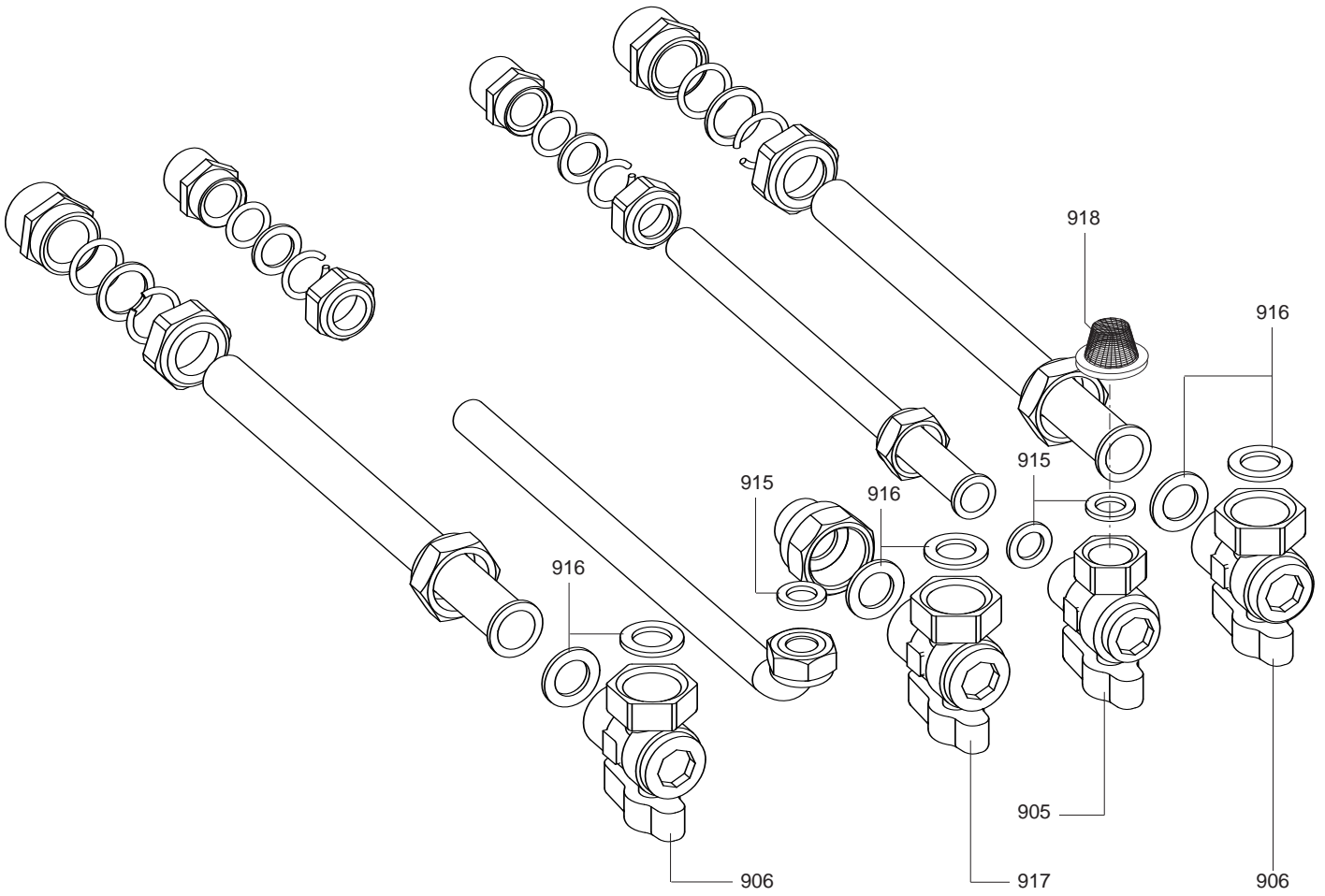




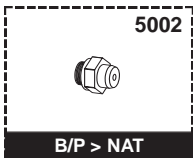
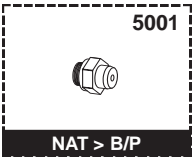
Key N	Description	Manf. Pt. N	Type						Manf. date		
				FF	CF	FF	CF	FF	from	to	
<b>0600</b>	<b>RETURN GROUP</b>										
0601	MOTOR - THREE-WAY VALVE	61302483		●	●	●	●	●			
0602	DRAIN COCK	65104328		●	●	●	●	●			
0603	3-WAY SPRING KIT (D.H.W.)	65104314		●	●	●	●	●			
0604	CLIP	65104331		●	●	●	●	●			
0605	O-RING 3,53X17,04	65104262		●	●	●	●	●			
0606	SENSOR (REED)	65104323		●	●	●	●	●			
0607	CLIP	65104332		●	●	●	●	●			
0608	CLIP	65104316		●	●	●	●	●			
0609	RETURN GROUP	65105322		●	●	●	●	●			
0610	AUTOMATIC FILLING TAP	65104669		●	●	●	●	●			
0611	RIDUCTORS (KIT)	65104318	8-10-12 LT	●	●	●	●	●			
0612	CLIP D=18	65104259		●	●	●	●	●			
0613	CLIP D=10	65104260		●	●	●	●	●			
0614	O RING D: 5.7-1.9	61009834-10		●	●	●	●	●			
0615	PRESSURE GAUGE	65104726		●	●	●	●	●			
0616	CLIP	65104322		●	●	●	●	●			
0617	O - RING (21.89X2.62)	65104320		●	●	●	●	●			
0618	PIPE (C.H. RETURN)	65104265		●	●	●	●	●			
0619	PUMP 6M 2V	60000591						●			
	PUMP	65104319		●	●	●	●	●			
0620	O-RING D: 17.86-2.62	61308091		●	●	●	●	●			
0621	LOW PRESSURE SWITCH	65104321		●	●	●	●	●			
0622	WATER FILTER	65104711		●	●	●	●	●			
0623	O - RING (9.19X2.62)	65104313		●	●	●	●	●			
0624	CLIP	65100680		●	●	●	●	●			
0625	CLIP	60000309		●	●	●	●	●			
0627	O - RING (23.47X2.62)	65104315		●	●	●	●	●			
0628	UNION (3/4)	65104326		●	●	●	●	●			
0629	UNION (1/2)	65104327		●	●	●	●	●			
0630	FLOW METER	65104317		●	●	●	●	●			
0631	CLIP	61307589		●	●	●	●	●			
0632	TEMPERATURE PROBE + CLIP	990686		●	●	●	●	●			
0633	PLUG	65104377		●	●	●	●	●			
0634	UNION (PUMP - PIPE)	65104266		●	●	●					
	UNION (PUMP - PIPE)	65105034					●	●			
0635	O - RING (15.54X2.62)	65104325		●	●	●	●	●			
0636	CHECK VALVE CARTRIDGE	65105323		●	●	●	●	●			
0637	O-RING 17,17X1,78	65104303		●	●	●	●	●			
0638	AUTO AIR VENT WITH O-RING	65104703		●	●	●	●	●			
0639	U-CLIP	65104704		●	●	●	●	●			
0640	O-RING	65104705		●	●	●	●	●			







5000





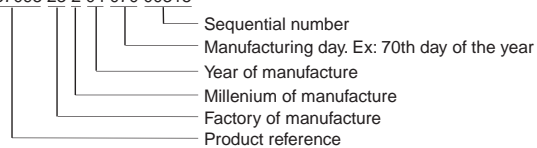
## LIST OF THE ABBREVIATIONS

HW .....	: Hot water.
CW .....	: Cold water.
C .....	: Ceramic resistance (normal heating).
Ca .....	: Ceramic resistance (accelerated heating)
TP .....	: Immersion heater.
1F .....	: With fittings.
2F .....	: Without fittings.
3F .....	: With fittings and another outlet connection.
AMI .....	: With mixing valve.
SMI .....	: Without mixing valve.
PUISS .....	: Power of th appliance.
PN .....	: Appliance with normal pression.
LP .....	: Appliance with low pression.
PV .....	: Appliance with variable power.
PF .....	: Appliance with fixed power..

## IDENTIFICATION PLATE

### SERIAL NUMBER

Ex: 0537095 23 2 04 070 00315



The indications mentioned on the prices, commercial or technical literature and the scheme are written for your guidance and are available at a given time. The CONSTRUCTOR retains the power to modify the presentation, the form, the size, the conception or the material of the products.